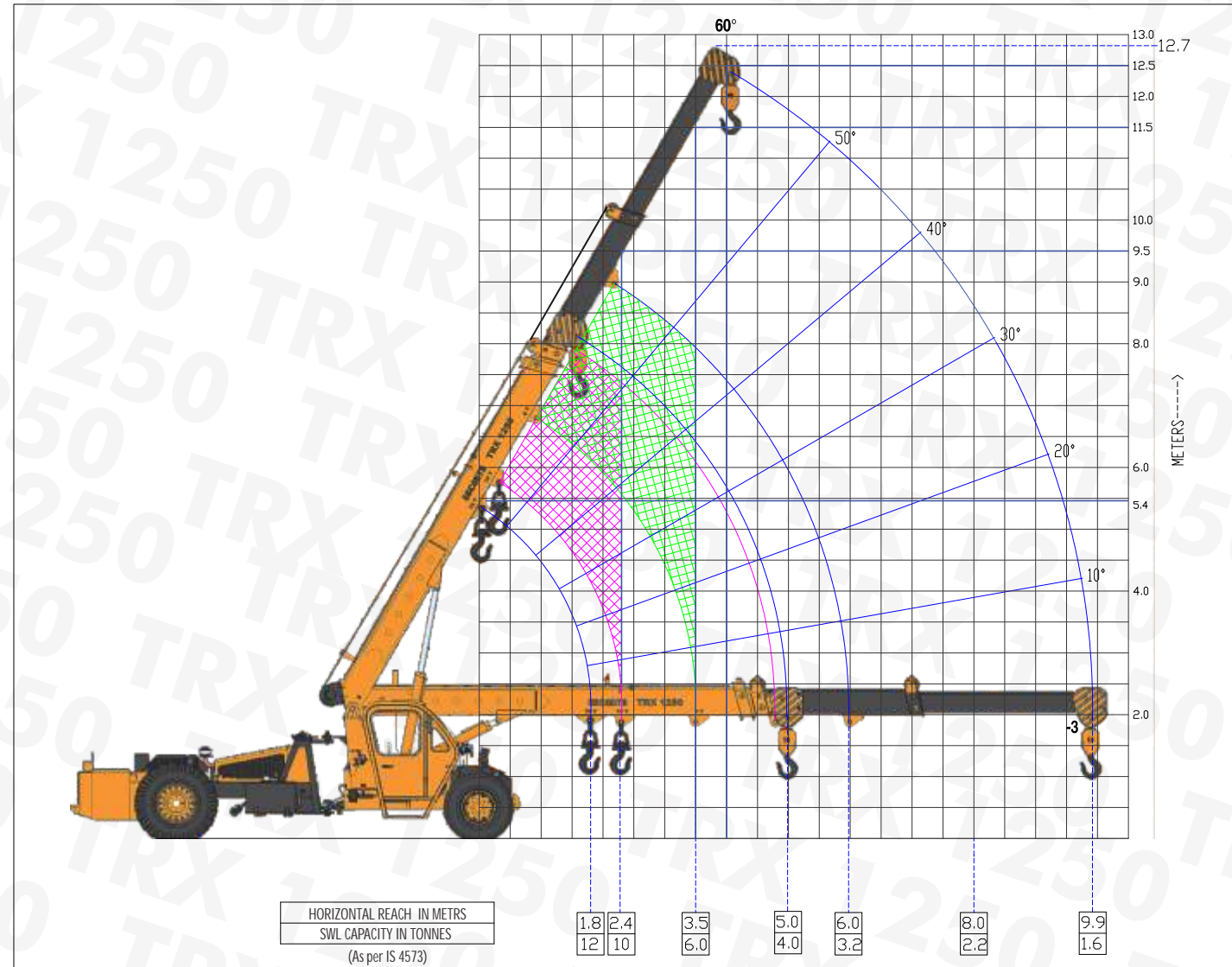


# TRX 1250

## Load Chart

# TRX 1250



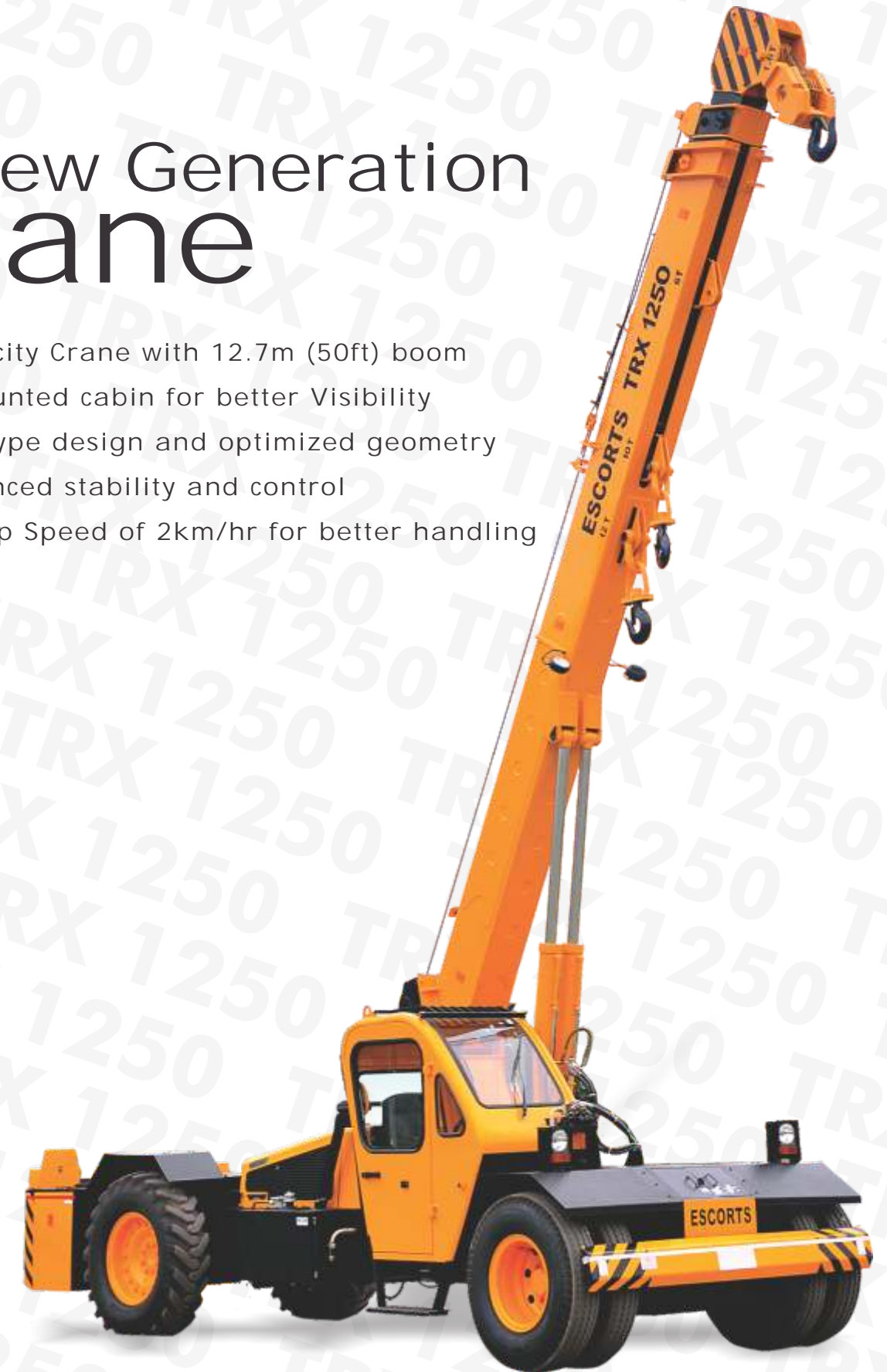
The information contained in this leaflet is intended to be of general nature only. We reserve the right to change the specifications without any prior notice. All dimensions and weights are variable with in ±2.5%

### Note:

- Max Lifting Capacity : 12 T
- Max Boom Height : 12.7 m / 15.2 m with fly jib
- Max Horizontal Reach : 9.9 m
- 12T can be lifted to height of 5.4 m
- 10T can be lifted to a height of 9.5 m through winch / 8 m through slotted boom
- 6T can be lifted to a height of 11.5 m through winch / 9 m through slotted boom
- 5T can be lifted to a height of 12.5 m through winch
- Tyres to be inflated with recommended air pressure
- Lifting Capacity is as per IS: 4573 -1982 on a firm and level ground
- Weights of chains , slings & tackles to be considered extra

## New Generation Crane

- 12T Capacity Crane with 12.7m (50ft) boom
- Front mounted cabin for better Visibility
- Chassis type design and optimized geometry for enhanced stability and control
- Low Creep Speed of 2km/hr for better handling of loads



SAFE • STRONG • STURDY



Escorts Construction Equipment Limited Plot No. 219, Sector 58, Ballabgarh-121 004, Haryana, India  
Tel.: +91 129 2306566, Fax: +91 129 2306463 | e-mail: marketing@escorts-ecl.com | www.ecl.com

Customer Support (Toll free) : 1800-180-1890

LIT / MKTG / TRX 1250 / 05-12

# TRX 1250

## Specifications

### RATED CAPACITY

(as per IS 4573) ▶ 12 T @ 1.8 m radius  
1.6 T @ 9.9 m radius

### ENGINE

Make & Model ▶ Escorts E4.286 NA Four Cylinder, Water Cooled Diesel Engine 50 HP @ 2200 RPM

### TRANSMISSION

Drive ▶ 2 Wheel Drive  
Type ▶ Heavy Duty, Constant Mesh, Helical Teeth Gearbox coupled with straight drive axle  
Speeds ▶ 8 Forward & 2 Reverse speeds with High / Low Selector  
Creep Speed ▶ 2 km/hr under laden condition, ideal for crane operation (with load)  
Clutch ▶ Single Plate, Heavy Duty type

### STEERING

Type ▶ Power Steering, Articulated, hydraulically controlled, actuated by Steering Wheel.  
Articulation ▶ 45° on either side

### BRAKES

Front Wheel ▶ Full Pneumatically assisted hydraulic brake.  
Rear Wheel ▶ Disc brakes actuated Through a slave cylinder  
Parking ▶ Hand operated Mechanically actuated at rear wheels

### TRACK

Front ▶ 1930 mm  
Rear ▶ 1680 mm

### TYRES

Front ▶ 11.00 X 20 - 16PR (4 nos.), inflation pressure 110-115 PSI  
Rear ▶ 13.00 X 24 - 16PR (2 nos.), inflation pressure 58 PSI.  
Water Ballasted

### BOOM

Luffing Angle ▶ From -3° to 60°  
Telescoping ▶ 3 part, hydraulically powered & fully synchronized.  
Type ▶ Slotted Boom with Rope compensation.  
Derricking ▶ Through double acting jacks.

### HOIST MECHANISM

Hoist ▶ Hydraulic winch. Four falls (Winch capacity 10T)  
Rope dia 13 mm

### HYDRAULIC SYSTEM

Pump ▶ Vane type hydraulic pump.  
Control Valve ▶ 4 spool control valve with built in pressure relief valve and precision control.  
Hydraulic Filter ▶ Suction line has a 100 mesh inline strainer while return line has 25 microns full flow filter.

### ELECTRICAL SYSTEM

Type ▶ 12V Single battery, Negative earth.

### CAPACITIES

Fuel Tank ▶ 90 Ltrs.  
Hydraulic Tank ▶ 90 Ltrs.

### OPERATING WEIGHT (Kg)

Gross Vehicle Weight ▶ 12300 Kg

### OVERALL DIMENSIONS

Length ▶ 11900 mm  
Width ▶ 2550 mm  
Height ▶ 2780mm

### SAFETY SYSTEM

- Overload Audio warning System.
- Rope Compensation for auto levelling.
- Safety brakes on hoist.
- Hose protection failure device.
- Front Mounted Cabin.

### STANDARD ACCESSORIES

- All weather cabin
- Steering Wheel
- Front Bumper
- Reflectors
- Rear View Mirror

### OPTIONAL ACCESSORIES

- Fly Jib
- Air Conditioned Cabin
- Safe Load Indicator with hydraulic cut off
- Rear View Camera with LCD Display
- Tyre Guard
- Over Hoist and over load cut off
- Tilt Indication Inclinometers

# TRX 1250

## Features



### Stable Crane

The center of gravity is low and falls within the dimensions even under articulation.



### Front Mounted Cabin

Front cabin for better visibility & control of loads. Line of sight is always aligned with load even in articulation.



### Slotted Boom

Slotted Boom with Rope Compensation for auto levelling of load and precision handling.



### SLI

Safe Load Indicator with features like 1 hook/ 3 hooks calibrations & fail safe operations with cut off.



### Creep Speed

Low Travel speed with load of 2 km/hr achieved through a combination of constant mesh Transmission and straight drive axle



### Steering Wheel

Articulated power steering controlled through steering wheel for safe usage and precision control



### Visibility

Operator's visibility is optimum from the cabin for better controls.



### Rear Camera

Rear Camera with LCD display in cabin, ensures complete rear view increasing safety

SAFE • STRONG • STURDY

SAFE • STRONG • STURDY