

HYDRA 1242



ESCORTS
CONSTRUCTION EQUIPMENT

HIGH PROFILE SOLUTION

3 Part Slotted Boom

Heavy Duty Transmission

Disc Brakes on Rear Wheel



HYDRA CRANE

HYDRA 1242 : SPECIFICATIONS

RATED CAPACITY

- 12T @1.7m radius
- 1.4T @10.07m radius

ENGINE

- Escorts AE 4.286A-3A Four Cylinder, water cooled Diesel Engine, developing 50 HP @ 2200 RPM or equivalent

TRANSMISSION

- **Drive-** 2 Wheel Drive
- **Type-** Heavy duty transmission developed especially for crane application. Sliding mesh gearbox coupled with straight drive axle. Six forward and Two reverse speeds with High / Low selector lever
- **Max. Speed-** 29 km/hr (unladen)
- **Clutch-** Single plate, heavy duty type

STEERING

- **Type-** Articulated power steering, hydraulically controlled through two doubling acting jacks
- **Articulation-** up to 56°
- **Turning radius-** 6.5 m

HOIST MECHANISM

- **Hoist-** Hydraulic winch. Four falls. Rope dia 13 mm

BRAKES

- **Front Wheel-** Pneumatic assisted hydraulic brakes
- **Rear Wheel-** Disc brakes actuated through a slave cylinder
- **Parking-** Hand operated mechanically actuated at rear wheels

HYDRAULIC SYSTEM

- **Pump-** Vane type Hydraulic Pump
- **Control Valve-** 4 spool control valve with built in pressure relief valve and precision control
- **Hydraulic Filter-** Suction line has a 100 mesh inline strainer while return line has 25 microns full flow filter

ELECTRICAL SYSTEM

- **Type-** 12V Single Battery, Negative earth

CAPACITIES

- **Fuel Tank:** 45 ltr.
- **Hydraulic Tank:** 65 ltr.

OVERALL DIMENSIONS

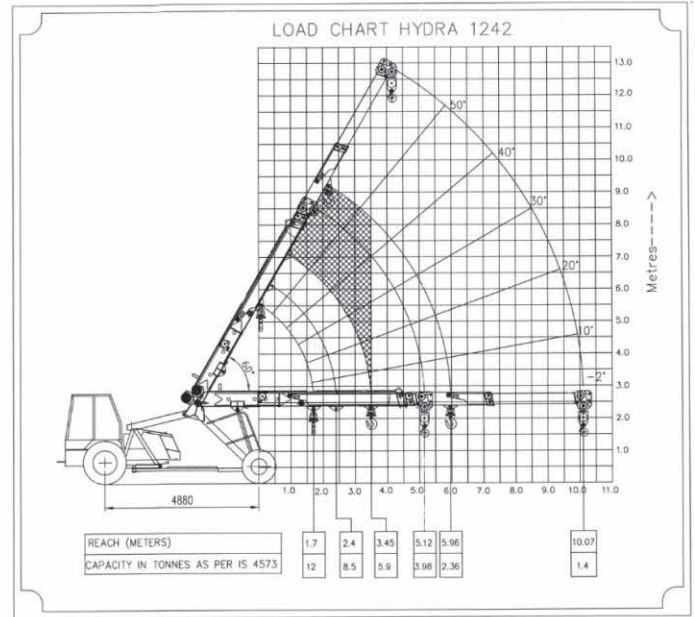
- **Length-** 11800 mm
- **Width-** 2550 mm
- **Height-** 3100 mm

OPERATIONAL WEIGHT

- 10650 kg

BOOM

- **Telescoping-** 3 part hydraulically powered & fully synchronized
- **Derricking-** Through double acting jacks



TYRES

- **Front-** 10.00 X 20-16PR (4 Nos.), inflation pressure 110-115 PSI
- **Rear-** 13.00x24-12PR (2 Nos.), inflation pressure 35 PSI (Water Ballasted)

TRACK

- **Front-** 1930 mm
- **Rear-** 1680 mm

SAFETY DEVICES

- Overload audio warning system
- Safety brake on hoist
- Cylinder guard for protection
- Rope compensation for auto levelling
- Counter balance protection valve in the lift line against hose burst.
- Visual warning against parking brakes on

UNDER THE STANDARD ACCESSORIES

- All weather cabin
- Lift cylinder guard
- Front bumper
- Rear view mirror
- Reflectors
- Turn & reverse lamp

OPTIONAL ACCESSORIES

- Fly Jib
- Spark Arrestor
- Steering Wheel
- Fire Extinguisher
- Air Conditioned Cabin
- Safe Load Indicator
- 14x24 Heavy Duty Tyres
- Over Hoist & Hydraulic Cut off Kit